

307 781-13  
07.2018

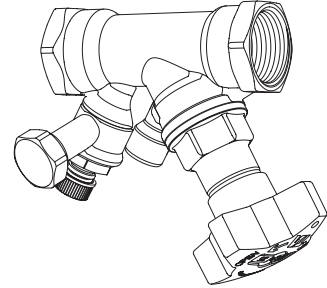
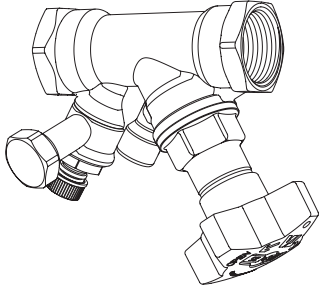


307 781-13  
07.2018



**STS**

**STS**



**IMI** Hydronic  
Engineering

**IMI** Hydronic  
Engineering

307 781-13  
07.2018

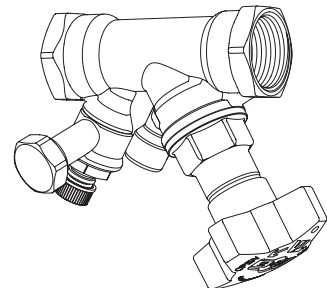
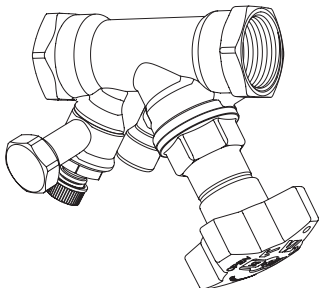


307 781-13  
07.2018



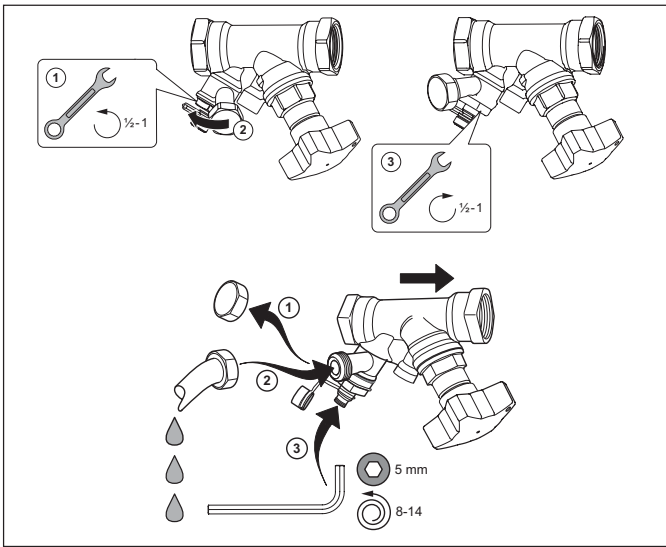
**STS**

**STS**

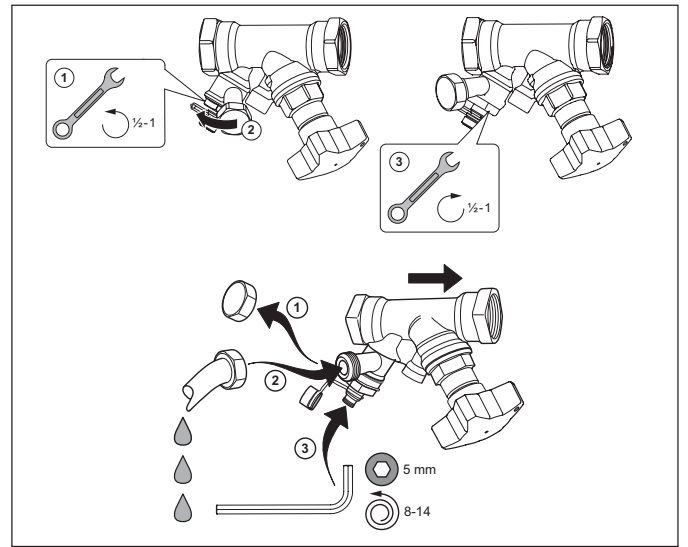


**IMI** Hydronic  
Engineering

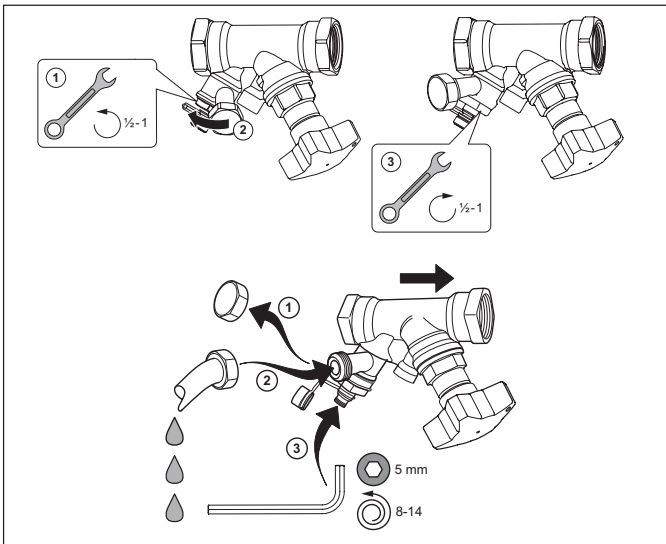
**IMI** Hydronic  
Engineering



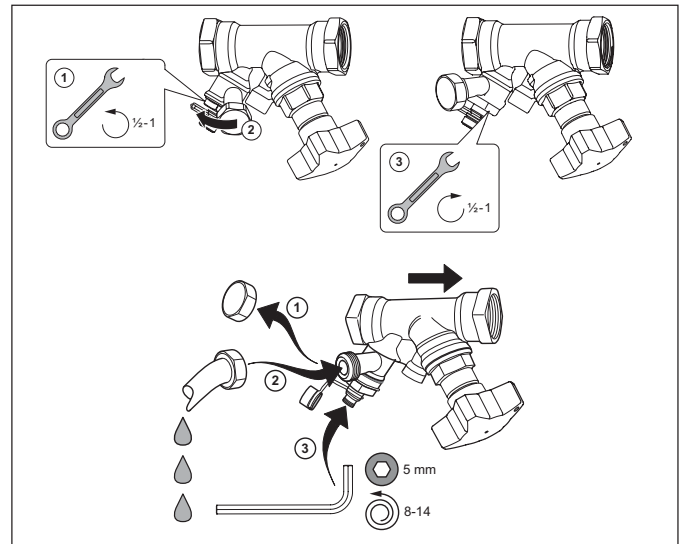
*We reserve the right to introduce technical alterations without previous notice.*



*We reserve the right to introduce technical alterations without previous notice.*



*We reserve the right to introduce technical alterations without previous notice.*



*We reserve the right to introduce technical alterations without previous notice.*